

Rebling Datasheet: Avionics Receptacle Style 1 with Right-angle Adapters



The members of Rebling's family of avionics bulkhead-mounted receptacle connectors conform to and are QPL'd to Mil Specs MS25182, MS3509, Mil-PRF-18148, Mil-E-18148 and Mil-E-81099 and are available under Rebling's Cage Code 30525. The receptacles highlighted on this datasheet are those which have right angle adapters as the termination configuration at the rear of the receptacle. Receptacles with different profiles and different rear termination options can be found on other datasheets.

Electrical (per MIL PRF 18148)

Current	
Rated Current -----	750 amps
Peak Current -----	1,500 amps
Voltage & Resistance	
Rated Voltage (DC) -----	750 volts
Dielectric Withstanding Voltage (DC) -----	2,500 volts
Contact Resistance (maximum) -----	60 micro-ohms

Mechanical (per MIL PRF 18148)

Flammability Rating -----	UL94 HB
Environmental Sealing with standard Kit Components -----	IP56
with Optional Gasket -----	IP68
Operating Temperature -----	-85 to +71 C°
Mechanical Shock -----	20 Gs – 3 axes
Vibration -----	10 Gs – 3 axes
Mating Cycles (no electrical load) -----	1,500 cycles
Maximum Wire Size: -----	3/0 (80 mm ²)
Maximum Terminal Lug Tongue Width -----	0.76" (19.3 mm) Maximum
Terminal Lug Web Width -----	0.22" (5.6 mm)
Recommended Torque on Electrical Connection Nuts -----	30 - 40 in-lbs (3.4 - 4.5 Nm)

Compliance

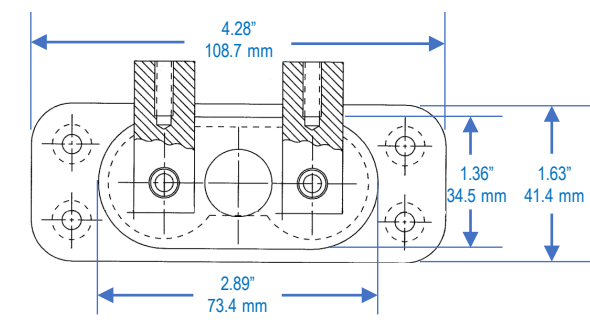
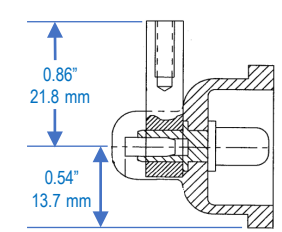
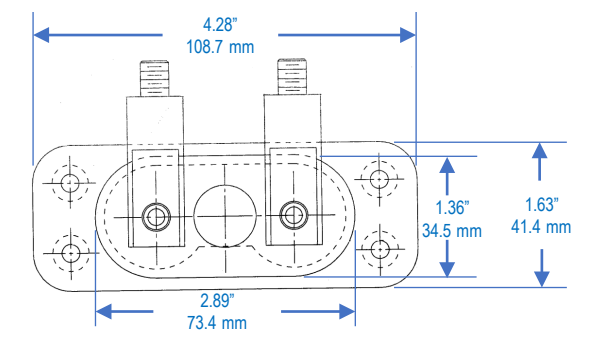
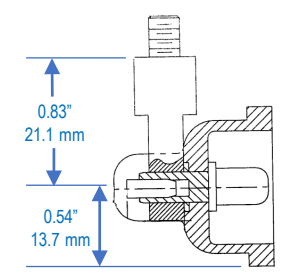
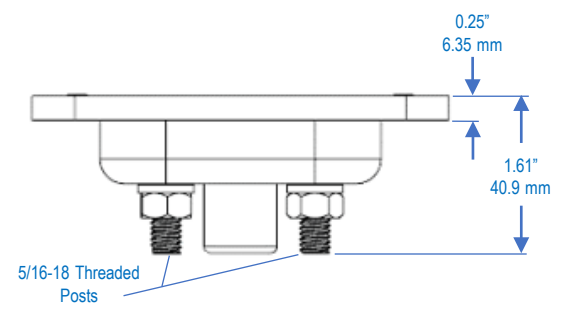
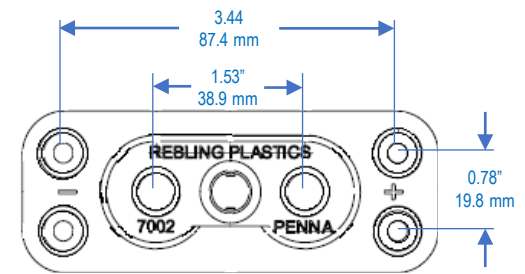
RoHS, REACH, CMRT/3TG All parts listed on this datasheet are RoHS, REACH and CMRT/3TG Compliant

Mounting and Assembly

Recommended Torque on the 5/16 electrical connection nuts -----	30-40 in-lbs (3.4-4.5 Nm)
Torque on the 5/16 electrical connection nuts that causes material failure -----	80 in-lbs (9 Nm)

Application Notes

1. When attaching large cables to the rear threaded posts, use Burndy narrow tongue crimp lugs
2. #8 or M4 flathead 82 degree screws are recommended for mounting the connector to the panel
3. EMI Shielded Receptacles - see the datasheet for Rebling's EMI Receptacle P/N 7009-51



For complete dimensions, download 3D Step files of Receptacle and Accessories at Rebling.com

Rebling Datasheet: Avionics Receptacle Style 1 with Right-angle Adapters



P/N	Description	Plastic Color	Height Dimension	Thread	Weight (Grams)
7002-3-101	Receptacle Kit, with rear right angle -101 Adapters, The -101 Adapter has 10-32 x 0.56" internal threads and measures 0.87" from the receptacle pin's centerline to the adapter's contact surface	Blue	0.87"	Female M10-32 x 0.56"	179
7002-3-104	Receptacle Kit, with rear right angle -104 Adapters, The -104 Adapter has 10-32 x 0.56" internal threads and measures 0.69" from the receptacle pin's centerline to the adapter's contact surface	Blue	0.69"	Female M10-32 x 0.56"	166
7002-3-107	Receptacle Kit, with rear right angle -107 Adapters, The -107 Adapter has M10-1.25 x 0.38" external threads and measures 0.83" from the receptacle pin's centerline to the adapter's contact surface	Blue	0.83"	Male M10-1.25 x 0.38"	186
7002-3-109	Receptacle Kit, with rear right angle -109 Adapters, The -109 Adapter has 10-32 x 0.56" internal threads and measures 1.00" from the receptacle pin's centerline to the adapter's contact surface	Blue	1.00"	Female M10-32 x 0.56"	205
7002-37	Receptacle, Style 1, No Contacts	Gray	N/A	N/A	84

*Receptacle Kit = one Receptacle + two Nuts + two Split Washers, all parts in a small poly bag
Gaskets and Protective Backshells can be found on the Avionics Receptacle Accessories Datasheet

